



HARDWARE STATUS UPDATE-100% BUILD

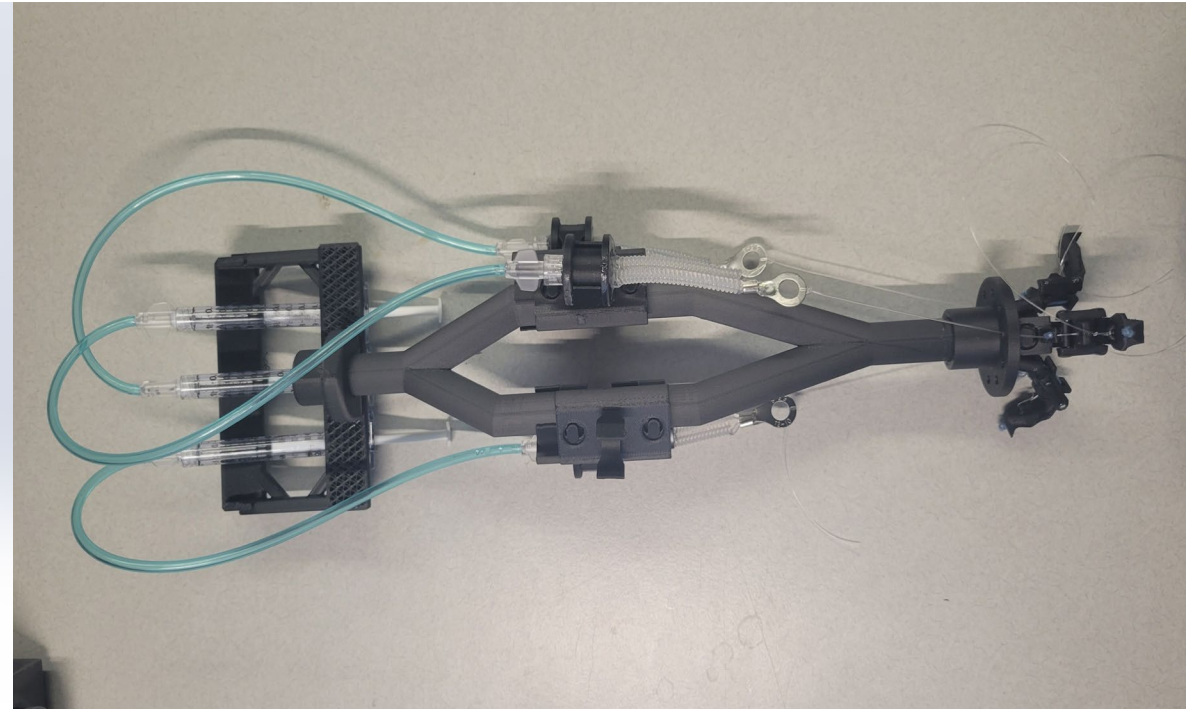
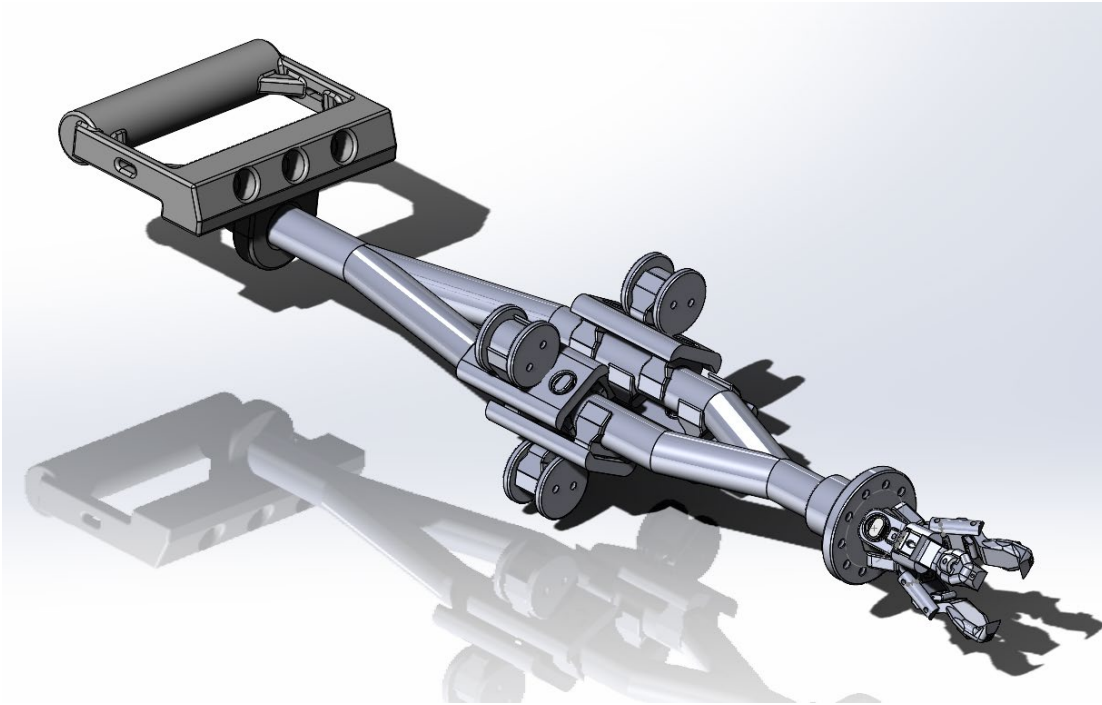
TEAM CAVATAPPI

ANN LESTER,

JAMES BENNETT,

RYN SHUSTER

DESIGN EFFORTS-FULL DESIGN



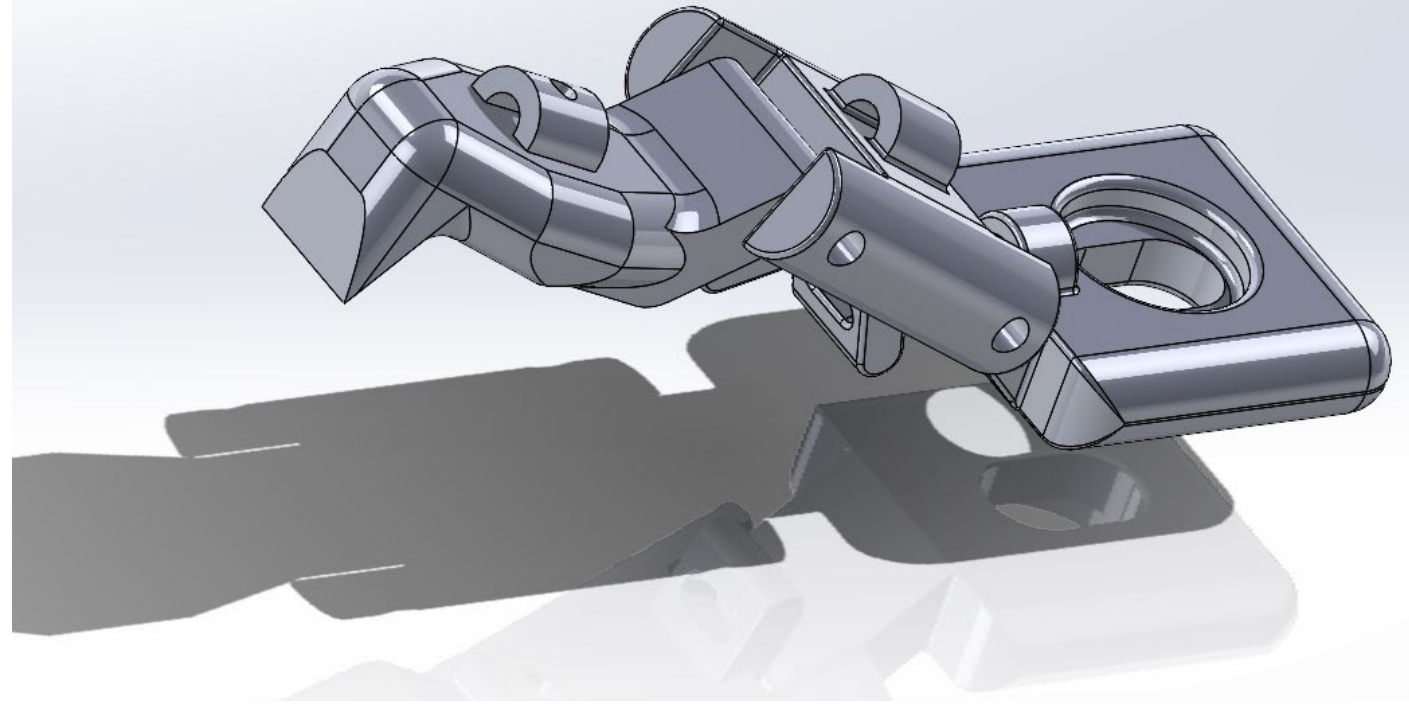
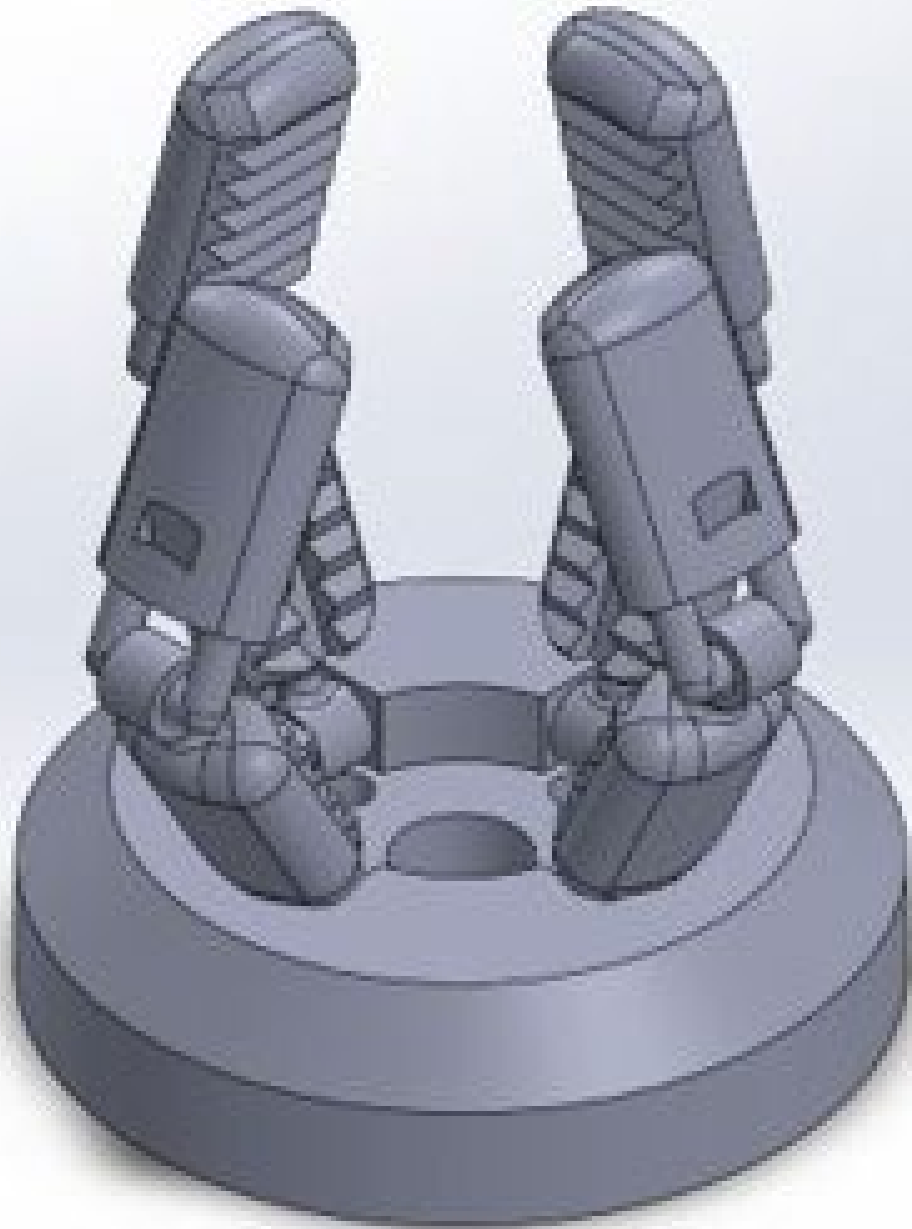
DESIGN EFFORTS-MANIFOLD/BUNDLES

3 Muscle Bundles > 4 Muscle Bundles > 2 Muscle Bundles



DESIGN EFFORTS- MUSCLES

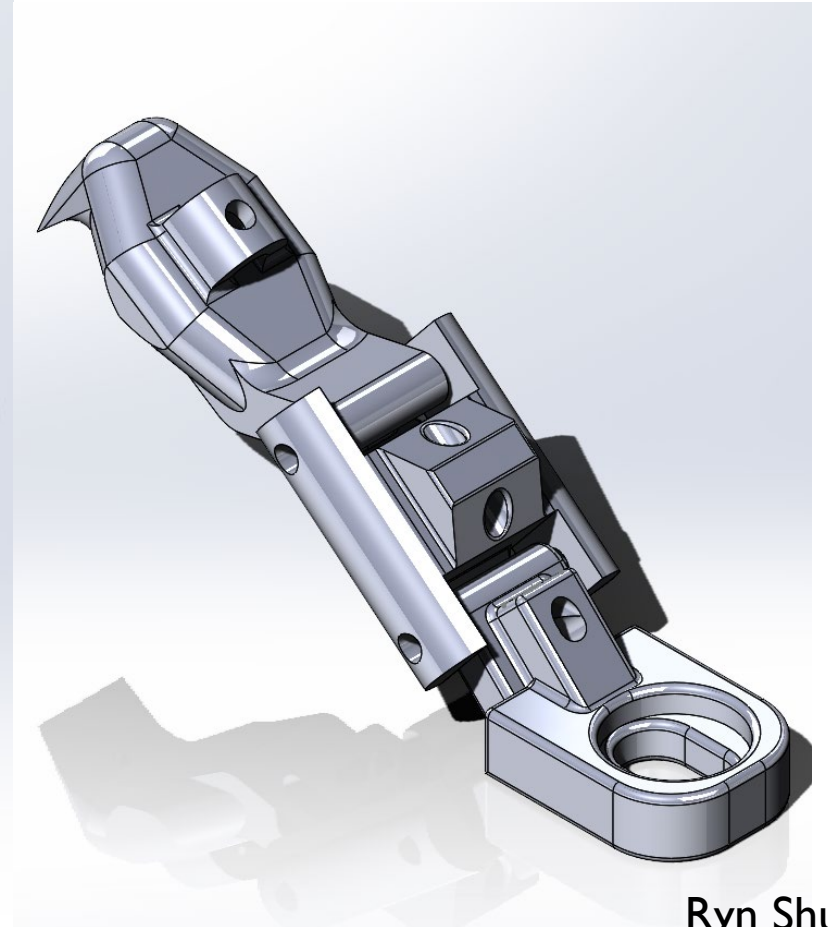
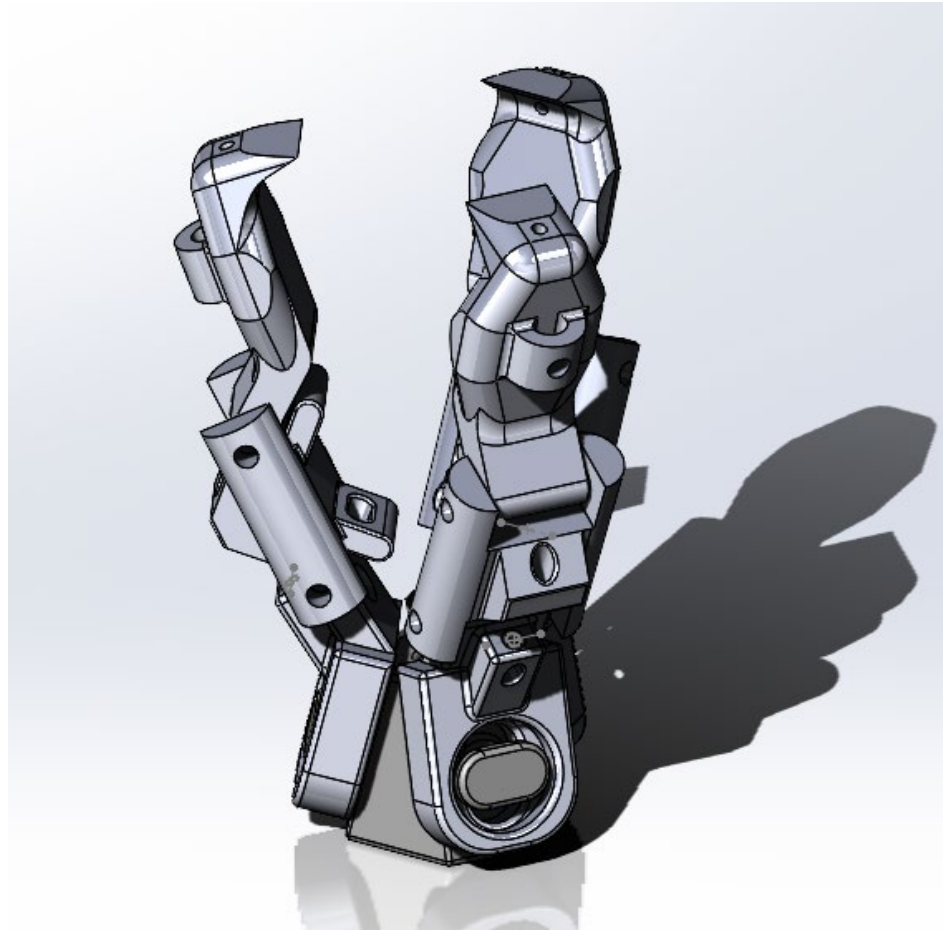
- Major Changes:
 - Determined that mini muscles were not possible
 - Determined that mid-size muscles were not possible
 - Cleared with client that full-size Cavatappi would be best to utilize for project's sake



DESIGN EFFORTS END EFFECTOR-
FIRST ITERATION

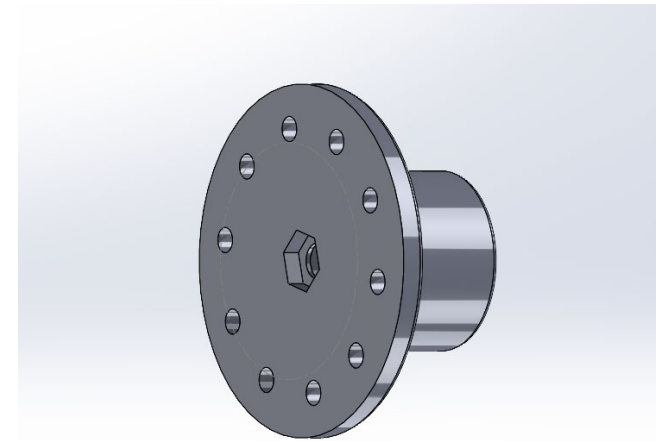
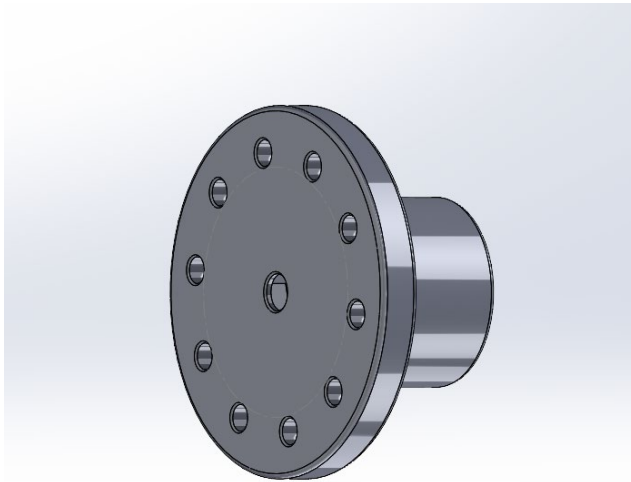
DESIGN EFFORTS END EFFECTOR-FINAL ITERATION

- Meets customer requirement for size specification
- Meets customer requirement for biomimetic design



Ryn Shuster

DESIGN EFFORTS- ADAPTER PLATE



PURCHASING PLAN

- Estimated Purchasing Completion: 100%
- No changes from 66% update

Item	Cost	Supplier	On Hand	Order By	Part No.	Notes
M3 Bolts	In Lab	Copper State	Yes			
M3 Set Screws	\$ 8.77	Copper State	No	8-Feb		No Longer Necessary
M3 Nuts	In Lab	Copper State	Yes			
Sous Vide	Team Member Owned	Anova	Yes			
Vacuum Sealer	Team Member Owned	Guttale	Yes			
Vacuum Bags	Team Member Owned	Guttale	Yes			
3ML Syringes	\$ 3.82	Qosina	Yes		C3303	Price Assumes 20ct
1ML Syringes	\$ 10.47	Qosina	Yes		C3301	Price Assumes 20ct
Injection Syringe	In Lab	Amazon	Yes			
Male Luer Connector	\$ 7.14	Qosina	Yes	8-Feb	11590	Price Assumes 30ct
Female Luer Connector	\$ 12.45	Qosina	Yes	8-Feb	11765	Price Assumes 30ct
Tygon	In Lab	St. Goblain	Yes			3/32" OD 1/32" ID
Hydraulic Tubing	\$ 12.03	Amazon	Yes	7-Feb		
Monofilament	In Lab	Trilene	Yes			20lb Test .018" OD
Mandrel Material	In Lab		Yes			16ga Wire
Mineral Oil	In Lab		Yes			
Print Resin	Donated		Yes			
Print Filamnet	Donated		Yes			
Thread	\$ 1.35	Michaels	Yes			
Epoxy	\$ 6.17	Walmart	Yes			
UV Set Glue	\$ 18.30	Amazon	Yes			
UV Flashlight	Included with Glue	Amazon	Yes			
Eyelet Connector	In Lab		Yes			0.25" ID
T_Slot Rail	1.96/in	Home Depot	Yes			400 & 600
T_Slot Bracket	0.89/item	Home Depot	Yes			401 & 600

MANUFACTURING PLAN

Item	Material	Method	On Hand	Make By	Quantity
Tower_Spool	Resin	3D Print	Yes		1
Spool	Resin	3D Print	Yes		1
Tower_Mandrel	Resin	3D Print	Yes		5
Clamp	Onyx	3D Print	Yes		6
Clamp Jaw	Onyx	3D Print	Yes		6
Clamp (Machined)	Aluminum	Turn/Mill	Yes		10
Manifold Slice (Test)	Onyx	3D Print	Yes		9
Manifold (Test)	Onyx	3D Print	Yes		2
Arm	Onyx	3D Print	Yes	11-Mar	2
Wrist	Onyx	3D Print	Yes	11-Mar	2
Elbow	Onyx	3D Print	Yes	11-Mar	2
Gimble	Onyx	3D Print	Yes	11-Mar	2
Control Housing	Onyx	3D Print	Yes	11-Mar	2
Manifold Slice (Prod)	Onyx	3D Print	Yes		32
Manifold (Prod)	Onyx	3D Print	Yes		8
Manifold Mounting Plate	Onyx	3D Print	Yes	11-Mar	8
Muslces	Tygon	Updated Mthd	Yes	11-Mar	20
End Effector	Onyx	3D Print	Yes	11-Mar	2

GANTT CHART UPDATE

